

# OM1125 LoRa Gateway Module

## Product Brief

### Features

OM1125 is a LoRa Gateway Module card with industrial standard mini PCI express form factor based on SX1301 chipset. This mPCIe module can be used in any embedded platform offering a free mPCIe slot with USB/SPI connectivity and capable of providing enough power for the module, enables low-power wide area communication capabilities to your new gateway design or existing industrial routers/computer.

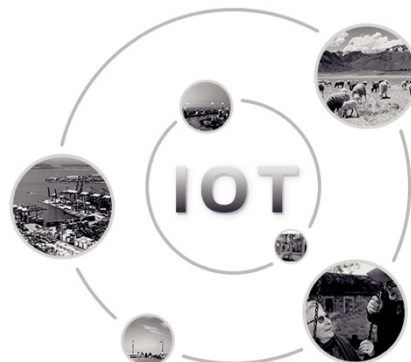
Each module support eight(8) programmable Lora parallel demodulation channels, allowing it to receive up to eight LoRa® modulated packets simultaneously. -142.5dBm high sensitivity combine with +27dBm power amplifier yields industry leading link budget making it optimal for applications requiring extended range and robustness.



- LoRaWAN technique
- Multichannel: Eight(8) programmable Lora parallel demodulation channels.
- mPCIe form factor based on USB /SPI host interface
- Compact mini PCI express form factor TYP. 50.8\*30.3\*4.7mm (W\*L\*H)
- Effective communication range up to 15KM
- RoHS compliant
- Firmware upgradeable

### Application

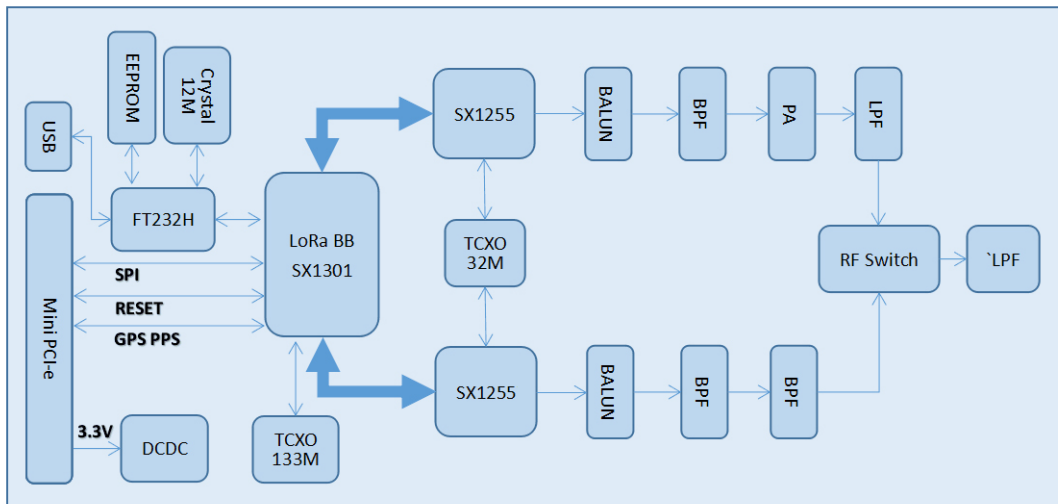
- Internet of Things
- Automated meter reading
- Security Sensor network
- Location Monitoring
- Industrial Monitoring and control
- Machine to Machine(M2M)



# OM1125 LoRa Gateway Module

## Product Brief

### Function Block Diagram



### Specification

#### Technical Specification

Module Name	OM1125
Product Description	LoRa Gateway Module
Package	Mini-PCIe
Host Interface	USB/SPI
Dimensions	TYP.50.8*30.3*4.7mm(W*L*H)

#### Electric Specification

Frequency	433MHZ , 470~510MH,(Opt.)
Band Width	-400-400KHz
Tx Power	+27dBm typ+30dBm ( Opt. )
Receive Sensitivity	Down to -142.5dBm

#### Operation Conditions

Supply Voltage	+3.3V
Power consumption	Tx (max)<700mA, Rx<200mA
Operating Temp	-40~+85°C(Industrial Grade)
Humidity	Operating:10%~90%, no condensing
WAN Protocol	ISM Band-LoRa®
ESD	JEDEC.JS-001,Standard ±1kV,Class 2